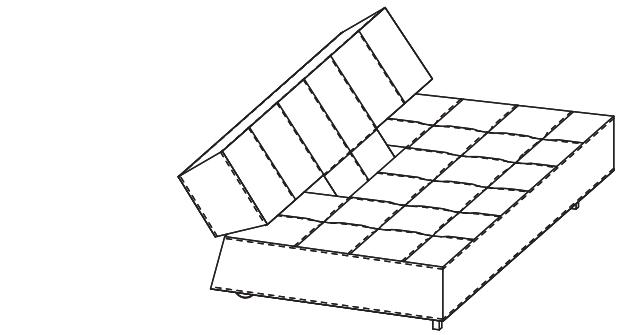
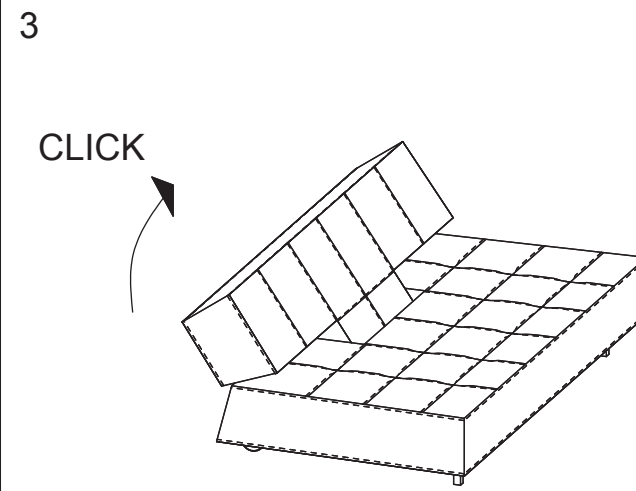
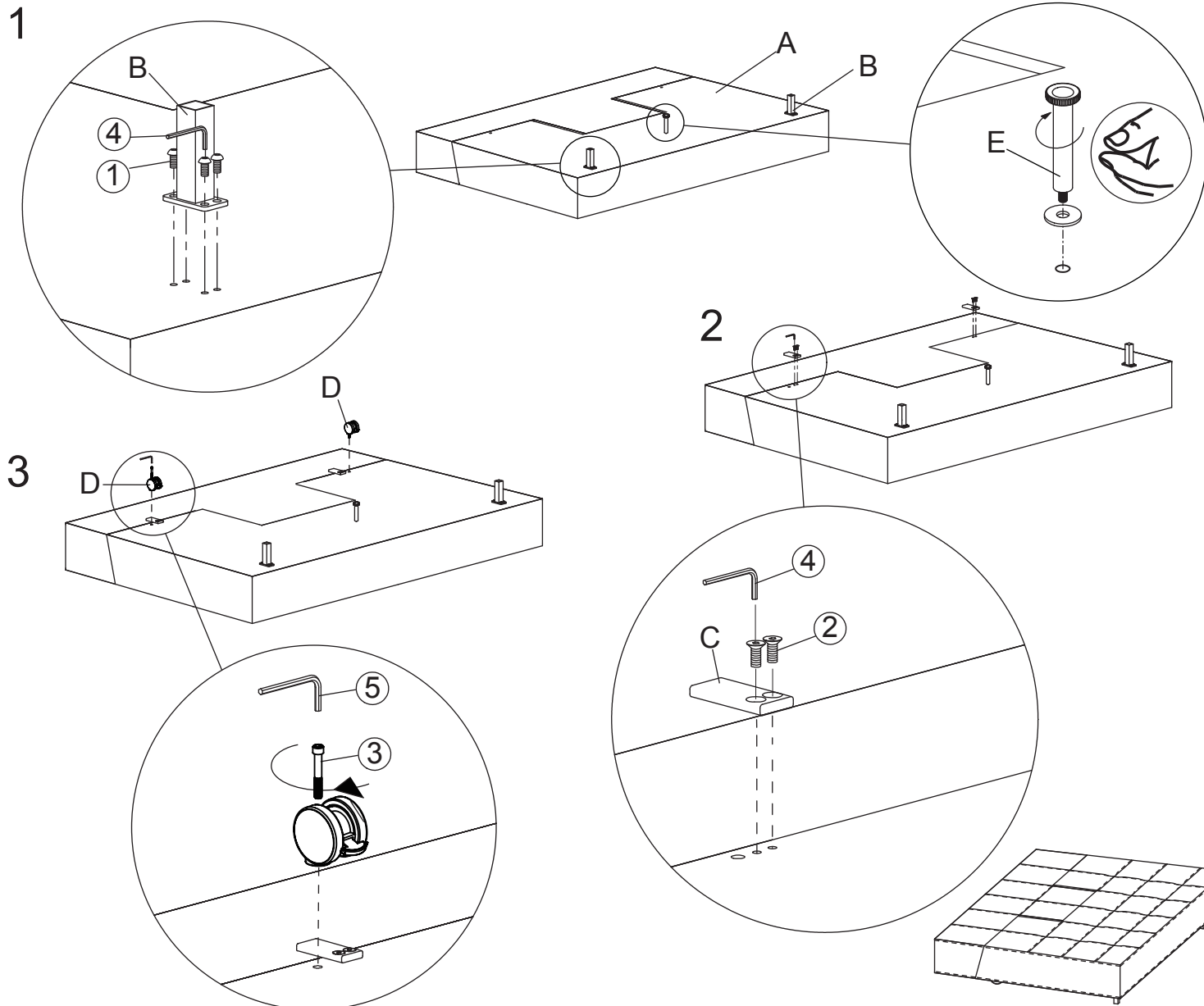
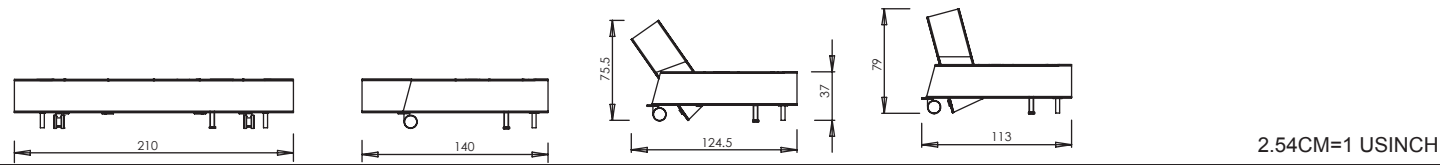


SOVE-SCHLAFEN-SLEEP-DORMIR

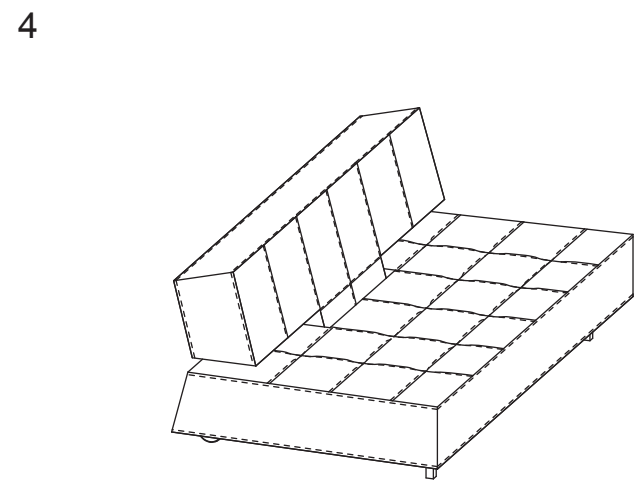
069314  
LONG HORN



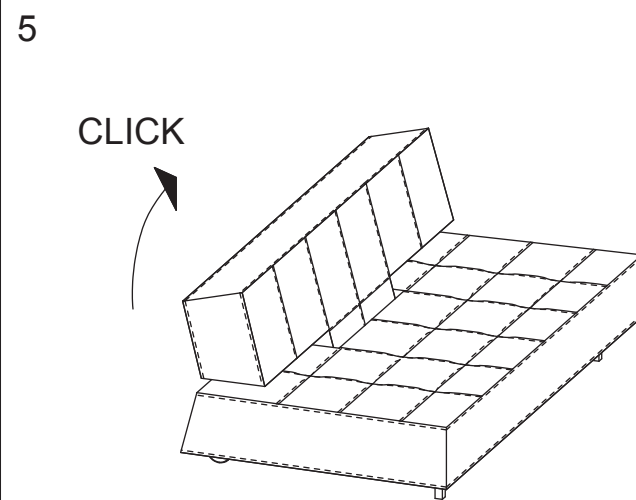
HVILE-RUHE-RELAX-REPOSER



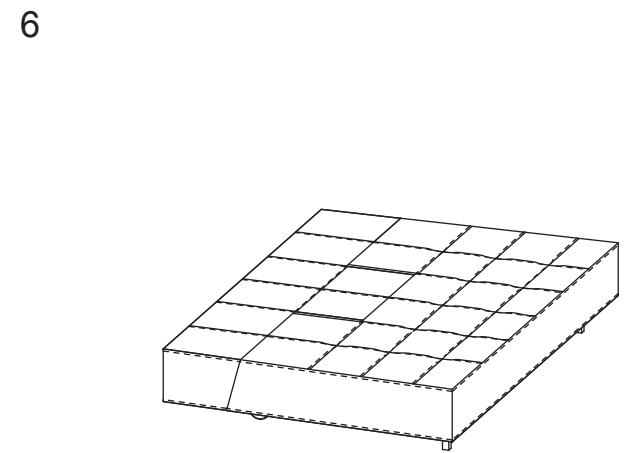
HVILE-RUHE-RELAX-REPOSER



SIDDE-SITZEN-SIT-ASSISE



SIDDE-SITZEN-SIT-ASSISE



SOVE-SCHLAFEN-SLEEP-DORMIR