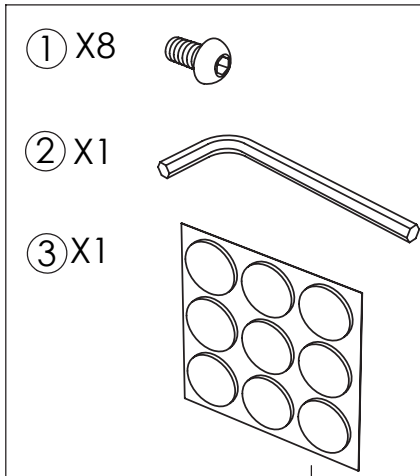
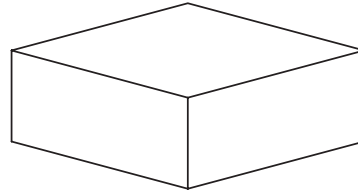




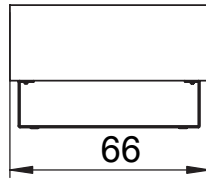
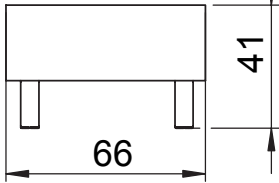
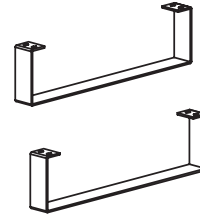
# 069332 SUPREME EXCESS PUFF



AX1

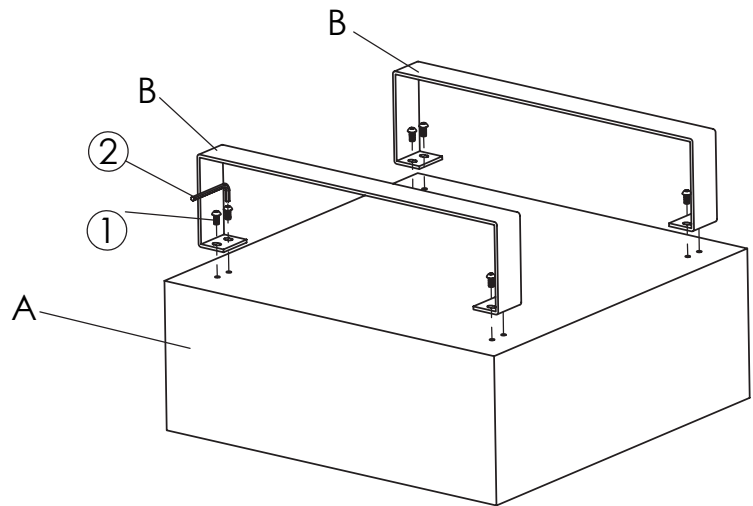


BX2



2.54CM=1US INCH

1



2

